



TI002en

Technical Information



PDA0- Series (A)

Metal Duct Connector
for measuring statical or total pressure

The TPA0- Series is designed for measuring statical or total pressure pressure in duct systems

The TPA0- Series can be use in conjunction with our Air Differential Sensors or Switches

The Metal Duct Connector is designed for industrial applications

Several lengths are available

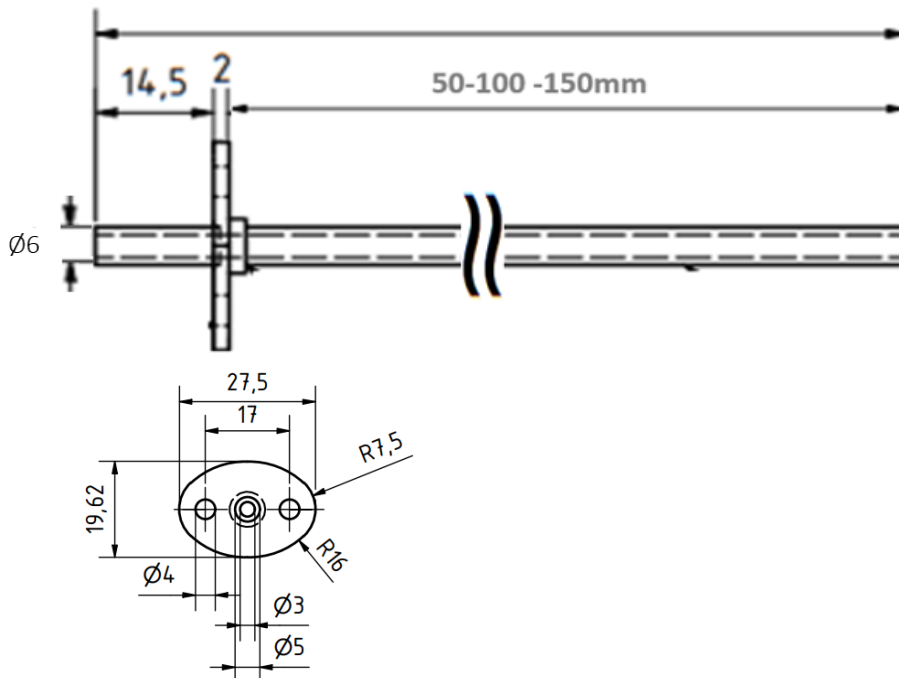
Easy installation



Product Range

Order Code	Dimensions	Immersion Lengths (mm)	Material	Applicable Products
PDA0.K	ø6x50mm	50	SS304	PDE1_series and PDE2_series
PDA0.L	ø6x100mm	100		
PDA0.M	ø6x150mm	150		

Dimensional Drawing



Applications

